

HEAD LINE/MINI 2AH compact

Optimal use of the working space in the machine



Two-axis heads with KESSLER spindles and motors

Intelligent systems: KESSLER heads think ahead – HEAD LINE

Applications with high requirements need a reliable partner. KESSLER systems therefore have a compact design and are extremely flexible, making a whole range of applications possible in just one machine.

KESSLER's latest torque motor generation achieves a high dynamic which is required especially when milling very intricate and narrow workpiece contours.

High positioning accuracy, high clamping force and a large tilting angle ensure that precise results in 5-axis machining are achieved.

KESSLER also offers compatible spindles for use with our 2-axis heads, to fulfil your machining needs.

End-to-end precision from the components to the on-site service

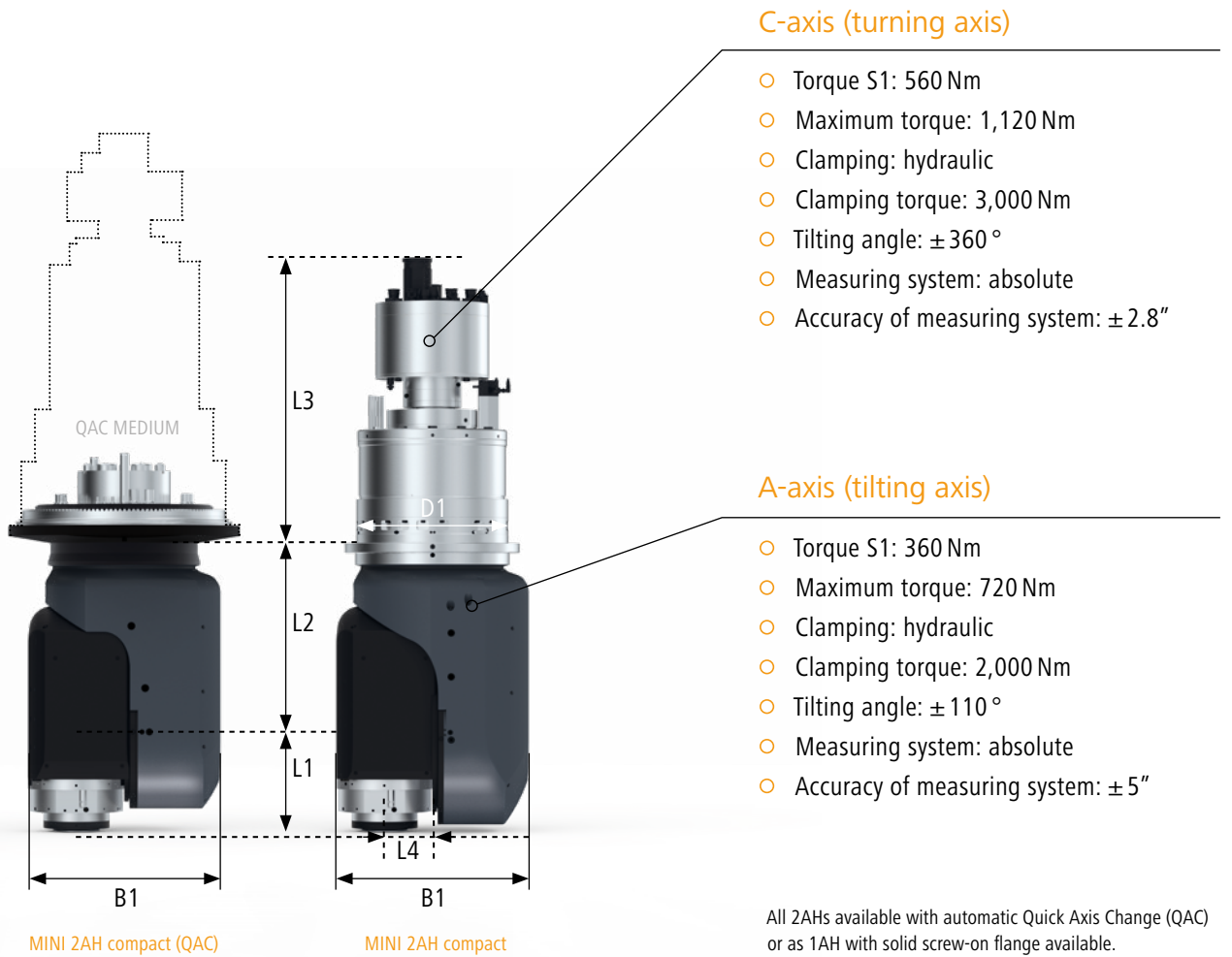
Founded in 1923 by Franz Kessler, the company has developed to become the leading supplier of motor spindles as well as directly driven 2-axis heads and rotary tilt tables for the machine tool industry. KESSLER is proud to list many major companies from the mechanical engineering sector amongst its long-standing customers.

With the expertise of over 100 years, KESSLER is continuously developing and optimising its products. The KESSLER product range serves a wide range of sectors, processes and applications. Close cooperation with our customers remains our key focus. The extensive product range, from hightech spindles, 2-axis heads, rotary and rotary tilt tables to motors and direct drive systems, enables KESSLER to implement customised solutions with speed and flexibility.

As your service partner, service is our matter of trust and reliability. KESSLER has an established global network of technology and service centres.



HEAD LINE / MINI 2AH compact



C-axis (turning axis)

- Torque S1: 560 Nm
- Maximum torque: 1,120 Nm
- Clamping: hydraulic
- Clamping torque: 3,000 Nm
- Tilting angle: ±360°
- Measuring system: absolute
- Accuracy of measuring system: ±2.8"

A-axis (tilting axis)

- Torque S1: 360 Nm
- Maximum torque: 720 Nm
- Clamping: hydraulic
- Clamping torque: 2,000 Nm
- Tilting angle: ±110°
- Measuring system: absolute
- Accuracy of measuring system: ±5"

All 2AHs available with automatic Quick Axis Change (QAC) or as 1AH with solid screw-on flange available.

Dimensions (mm)

Fitting diameter of C-axis	D1	335
Fitting depth of C-axis	L3	630
Collision circle C-axis	D2	480
Offset spindle axis to C-axis	L4	105
Width of A-axis	B1	420
Depth of A-axis	T1	420
Projection length of A-axis	L2	410
Vector length	L1	225
Gross weight	kg	500



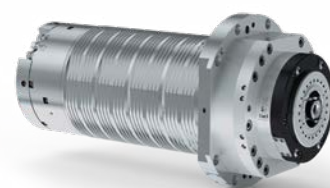
Options

A-axis

- + **Pneumatic clamping**
with safety function
Clamping torque: 1,944 Nm
- + **Leakage monitoring**

C-axis

- + **Pneumatic clamping**
with safety function
Clamping torque: 2,480 Nm
- + **Measuring system**
with enhanced accuracy for use
with all standard control systems
- + **Horizontal or vertical
installation position**



Motor spindles

Model	Max. speed (rpm)	S1		S6 / 40 %		S6 / 25 %		S6 max.		
		Torque (Nm)	Power (kW)	Torque (Nm)	Power (kW)	Torque (Nm)	Power (kW)	Torque (Nm)	Power (kW)	
MT80-S24	20,000	26	20	34	26	38	29	45	34	High speed*
MT80-S20	20,000	80	45	95	45	110	45	145	45	High torque*

*Availability on request
Not available with Quick Connect Cartridge (QCC)

Quick Axis Change (QAC) Automatic A-axis change

QAC enables uncompromising roughing and finishing with one single machine. The head kinematics remains unchanged. Since the projection length of the A-axis (L2) is the same, no space is lost in the machining area.

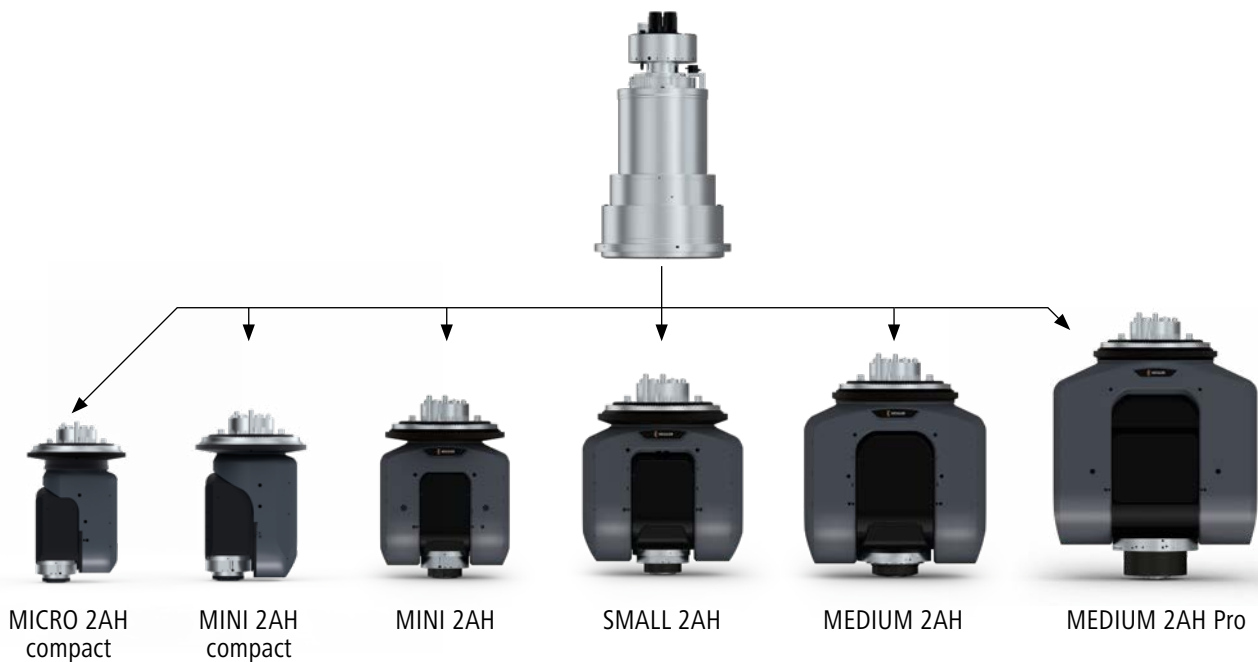
C-axis with changing interface for replaceable heads

QAC MEDIUM

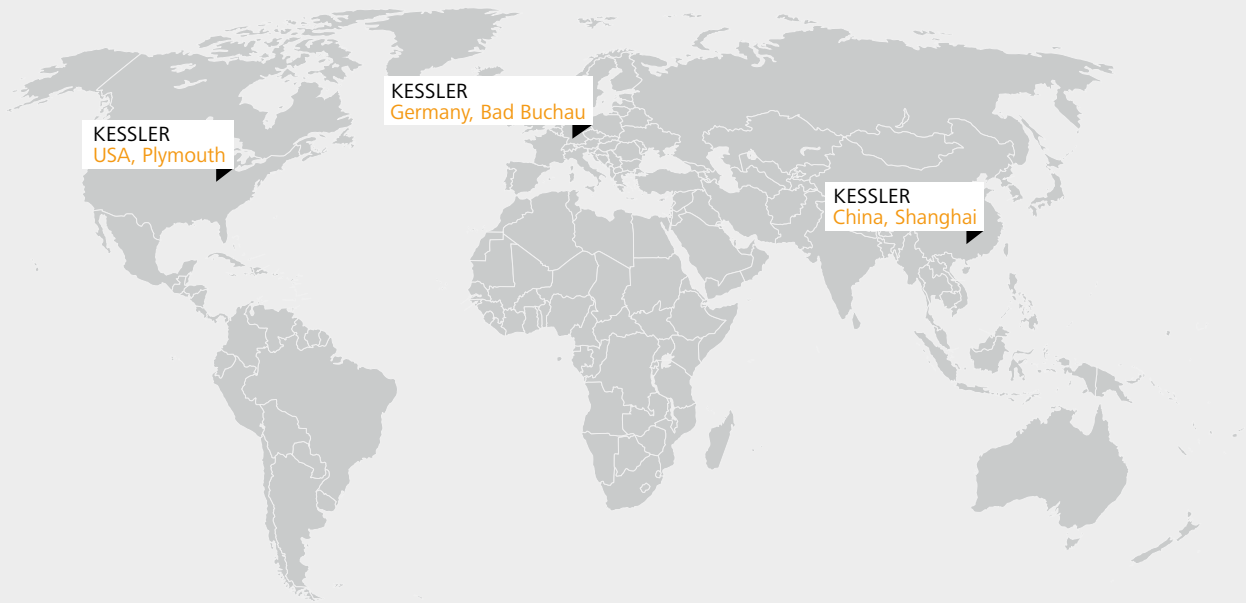
- Torque S1: 2,500 Nm
- Maximum torque: 5,700 Nm
- Clamping: hydraulic
- Clamping torque: 12,500 Nm
- Tilting angle: $\pm 360^\circ$
- Measuring system: absolute
- Accuracy of measuring system: $\pm 2.8''$

Options

- + **Pneumatic clamping**
with safety function
Clamping torque: 9,900 Nm
- + **Measuring system**
with enhanced accuracy $\pm 2.0''$
for use with all standard
control systems



Operating Worldwide for our Customers



Germany

Franz Kessler GmbH
Franz-Kessler-Straße 2
88422 Bad Buchau, Germany
Tel.: +49 7582 809 - 0
Fax: +49 7582 809 - 170
info@kessler-group.biz

USA

KESSLER USA Inc.
44099 Plymouth Oaks Blvd.
Plymouth, MI 48170, USA
Tel.: +1 734 404 0152
Fax: +1 734 404 0153
info.usa@kessler-group.biz

China

**KESSLER (Shanghai)
Spindle Service Co., Ltd.**
Building #12
No.318 Yuanshan Rd
Minhang District
201108 Shanghai, China
Tel.: +86 21 6489 7034
Fax: +86 21 6489 7134
info.cn@kessler-group.biz