

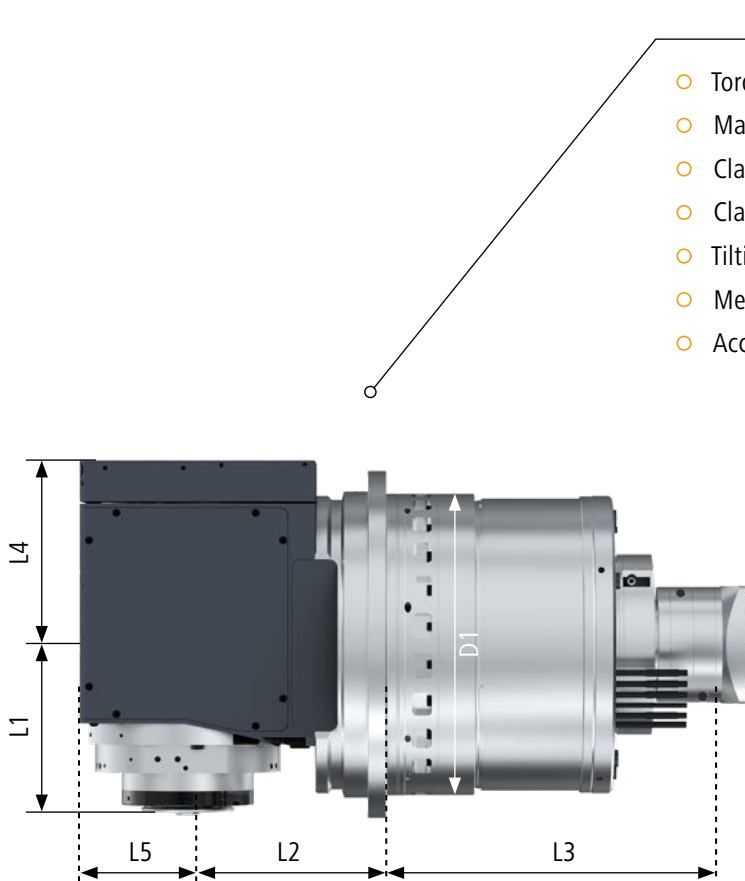
HEAD LINE/1AH-B

Cutting of large workpieces in the same working area





HEADLINE / 1AH-B



	SMALL	MEDIUM
○ Torque S1:	560 Nm	2,500 Nm
○ Maximum torque:	1,120 Nm	5,700 Nm
○ Clamping:	hydraulic	hydraulic
○ Clamping torque:	3,000 Nm	12,500 Nm
○ Tilting angle:	± 120°	± 120°
○ Measuring system:	absolute	absolute
○ Accuracy of measuring system:	± 2.8"	± 2.8"

Options

B-axis SMALL / MEDIUM

- + **Pneumatic clamping**
with safety function
Clamping torque: 2,480 Nm / 9,900 Nm
- + **Measuring system**
with enhanced accuracy ± 2.0"
for use with all standard control systems
- + **Leakage monitoring**
- + **Stronger motor for size SMALL**
Torque S1: 1,139 Nm
Maximum torque: 2,277 Nm

Dimensions (mm)		SMALL	MEDIUM
Fitting diameter of B-axis	D1	335	480
Fitting depth of B-axis	L3	365 / 465	600
Collision circle B-axis	D2	475 (MT100S) 635 (MT100L) 700 (MT100H)	750
Vector length of MT LINE spindle	L1	185 (MT100S) 185 (MT100L) 205 (MT100H)	300
(Vector length of V LINE spindle*)	L1		
Projection length of the spindle	L2	220	280
Installation depth of the spindle	L4	200 (MT100S) 290 (MT100L) 325 (MT100H)	328
Overall depth till spindle centre	L5	115	155
Gross weight	kg	310 / 350 / 360	890

*Availability on request

Motor spindles

SMALL

Model	Max. speed (rpm)	S1		S6 / 40 %		S6 / 25 %		S6 max.		
		Torque (Nm)	Power (kW)	Torque (Nm)	Power (kW)	Torque (Nm)	Power (kW)	Torque (Nm)	Power (kW)	
V100-S24	24,000	90	50	110	50	130	50	160	50	High speed
V100-A15	15,000	130	30	201*	46	217	50	217	50	High torque
V100-A20	20,000	87	25	135*	40	150	44	203	60	Bestseller
V100-A14	14,000	80	15	112	21	129	24.5	141	27	Entry-level

*S6 40 % / 25 % DC: 2 min.

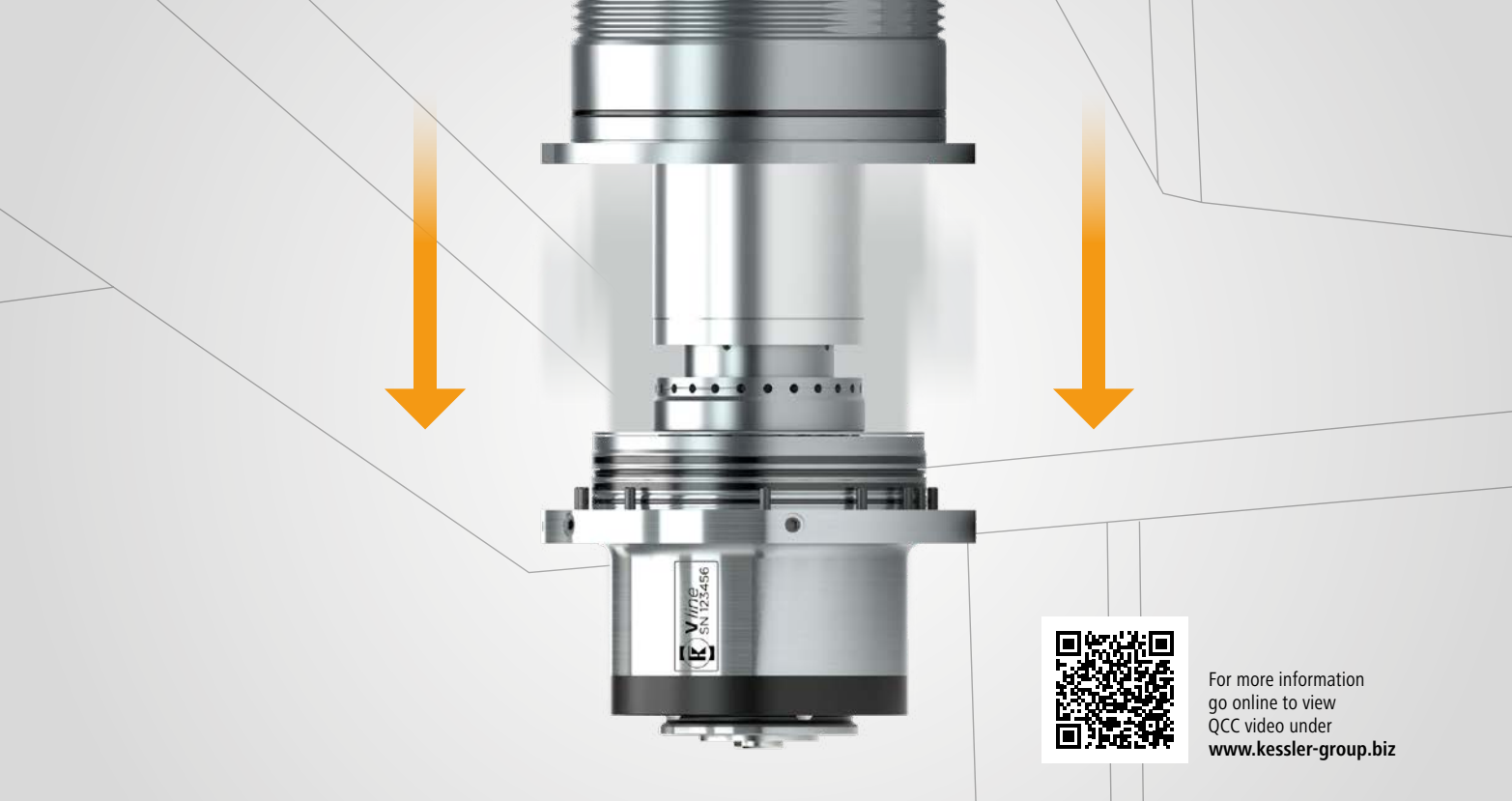
Model	Max. speed (rpm)	S1		S6 / 40 %		S6 / 25 %		S6 max.		
		Torque (Nm)	Power (kW)	Torque (Nm)	Power (kW)	Torque (Nm)	Power (kW)	Torque (Nm)	Power (kW)	
MT100S-S20	20,000	85	20	100	20	115	20	170	20	High speed
MT100S-S12	12,500	100	36	120	40	130	43	180	48	High torque
MT100L-S20	20,000	130	45	160	45	180	45	200	45	High speed
MT100L-S12	12,500	175	54	210	54	235	54	280	54	High torque
MT100H-S16	16,000	150	40	180	40	200	40	250	40	High speed
MT100H-S12	12,500	200	54	235	54	265	54	315	54	High torque

MEDIUM

Model	Max. speed (rpm)	S1		S6 / 40 %		S6 / 25 %		S6 max.		
		Torque (Nm)	Power (kW)	Torque (Nm)	Power (kW)	Torque (Nm)	Power (kW)	Torque (Nm)	Power (kW)	
V400-A15	15,000	300	48	445	70	535	84	640	100	High speed
V400-A10	10,000	400	50	560	70	690	86	800	100	High torque
V400-A15	15,000	220	35	305	48	350	56	405	65	Entry-level

Model	Max. speed (rpm)	S1		S6 / 40 %		S6 / 25 %		S6 max.		
		Torque (Nm)	Power (kW)	Torque (Nm)	Power (kW)	Torque (Nm)	Power (kW)	Torque (Nm)	Power (kW)	
MT400-S15	15,000	315	87	365	87	375	87	390	87	High speed*
MT400-S12	12,000	500	75	635	75	670	75	700	75	High torque*

*Availability on request



For more information
go online to view
QCC video under
www.kessler-group.biz

The built-in spindle housing remains in the headstock of the machine during the replacement procedure

Quick Connect Cartridge (QCC)



1. DISASSEMBLY OF THE CARTRIDGE FROM THE MOTOR SPINDLE



2. ASSEMBLY OF THE NEW CARTRIDGE



3. RESTARTING OF OPERATION



Fast replacement of rotor shaft, front/rear bearing and power drawbar on-site



Reduces TCO (Total Costs of Ownership)

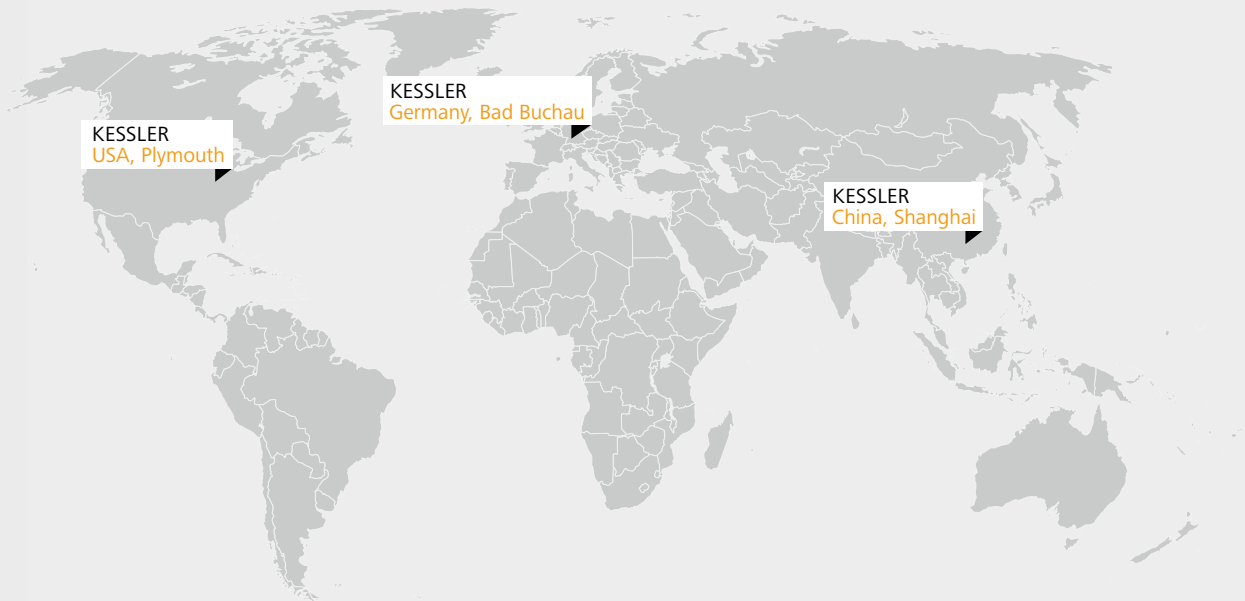


Reduces machine downtime



No electrician needed

Operating Worldwide for our Customers



Germany

Franz Kessler GmbH
Franz-Kessler-Straße 2
88422 Bad Buchau, Germany
Tel.: +49 7582 809 - 0
Fax: +49 7582 809 - 170
info@kessler-group.biz

USA

KESSLER USA Inc.
44099 Plymouth Oaks Blvd.
Plymouth, MI 48170, USA
Tel.: +1 734 404 0152
Fax: +1 734 404 0153
info.usa@kessler-group.biz

China

**KESSLER (Shanghai)
Spindle Service Co., Ltd.**
Building #12
No.318 Yuanshan Rd
Minhang District
201108 Shanghai, China
Tel.: +86 21 6489 7034
Fax: +86 21 6489 7134
info.cn@kessler-group.biz